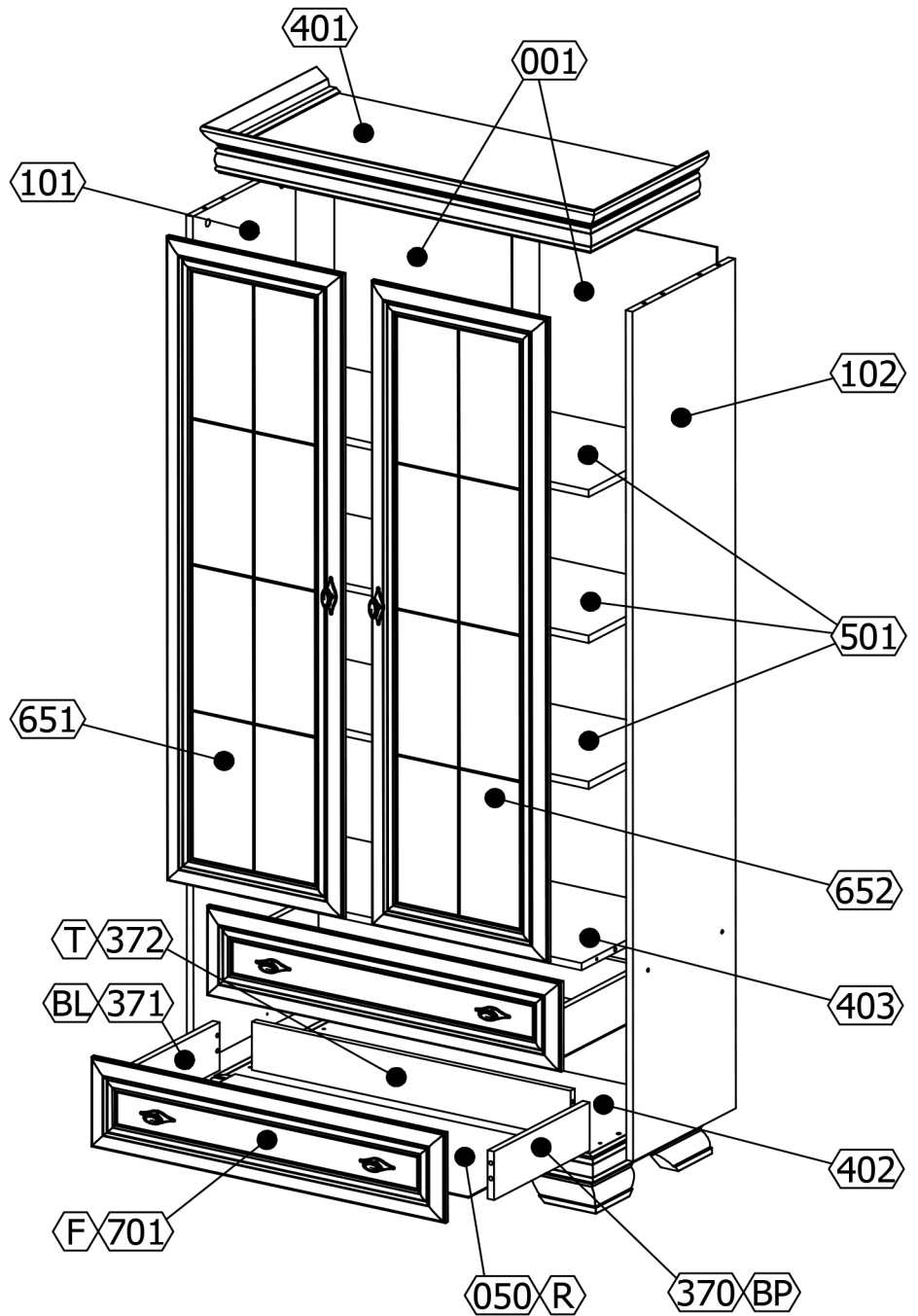
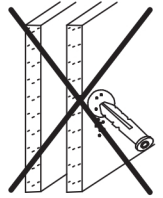
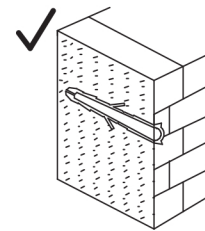
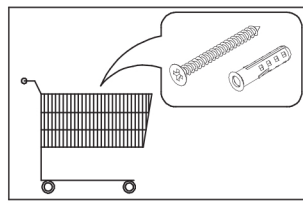
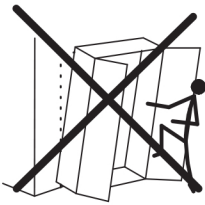
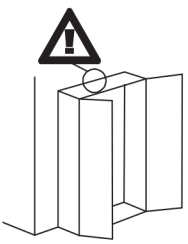


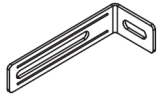
# Kora KRW2



1	401	1	3
2	402	1	3
3	403	1	1
4	101	1	1
5	102	1	1
6	001	2	1
7	501	3	1
8	651	1	2
9	652	1	2
10	701	2	3
11	370	2	1
12	371	2	1
13	372	2	1
14	050	2	3

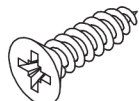


T4 x1

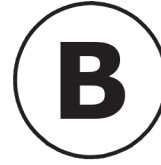


75x28x16 mm

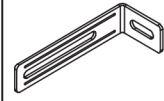
W2 x2



Ø3,5x16mm



T4 x2

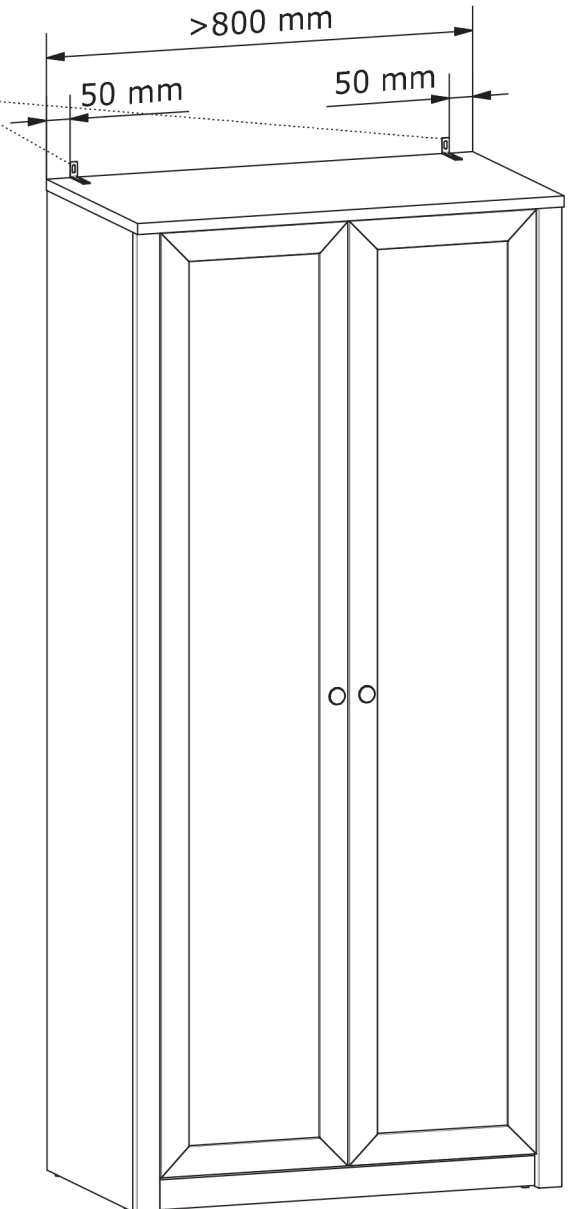
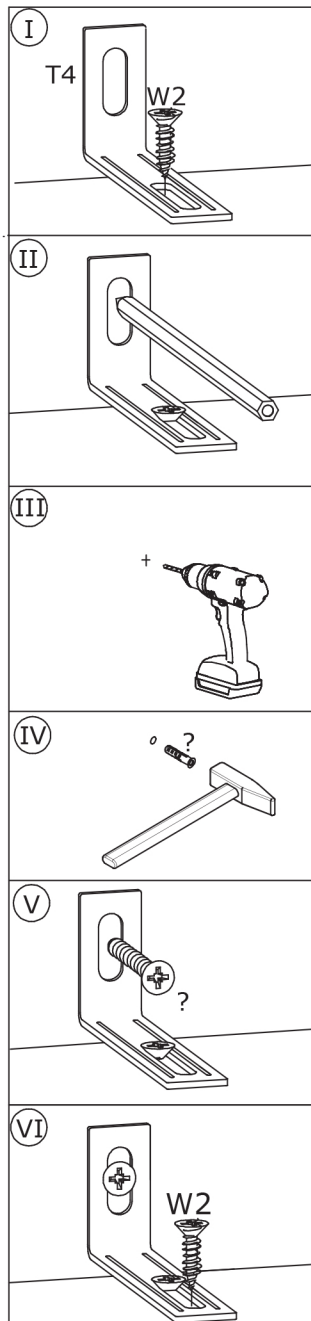
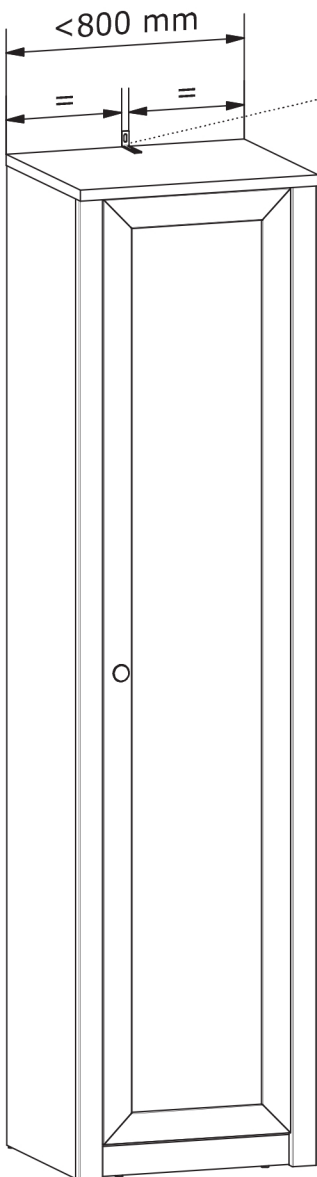


75x28x16 mm

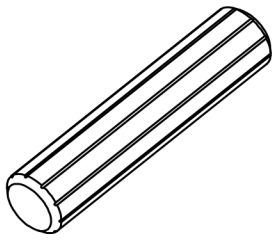
W2 x4



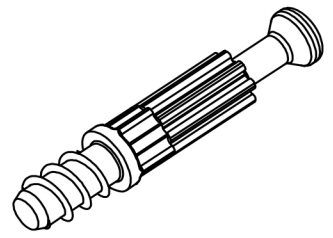
Ø3,5x16mm



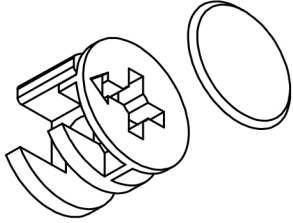
**A** x16  
(8x36)



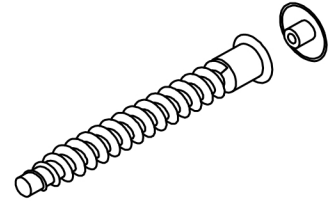
**B** x8



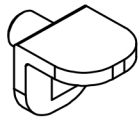
**C** x8  
(Ø15x12)



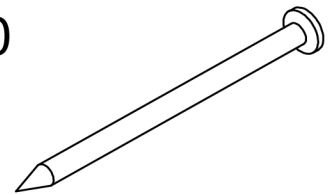
**D** x4



**E** x12



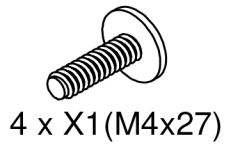
**G** x120



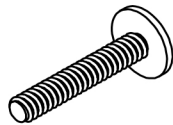
**M** x6



+

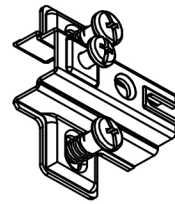


4 x X1 (M4x27)

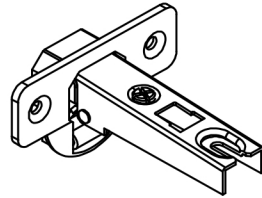


2 x X2 (M4x35)

**U** x6

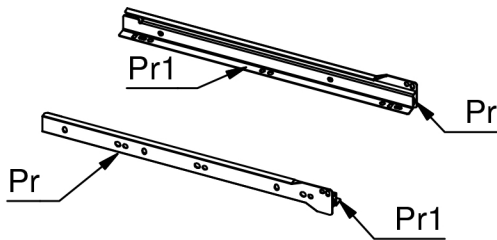


Uz

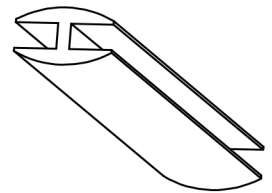


Uz1

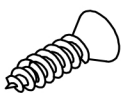
**P** x2



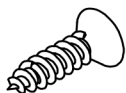
**H** x1



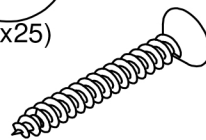
**W1** x12  
(3,5x13)



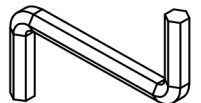
**W4** x12  
(3,5x16)

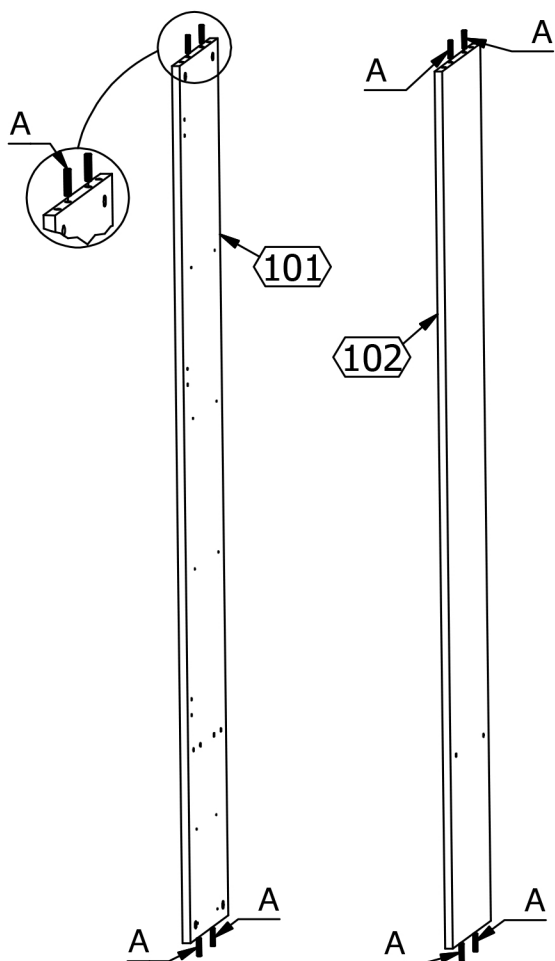
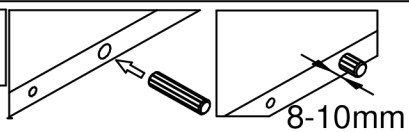
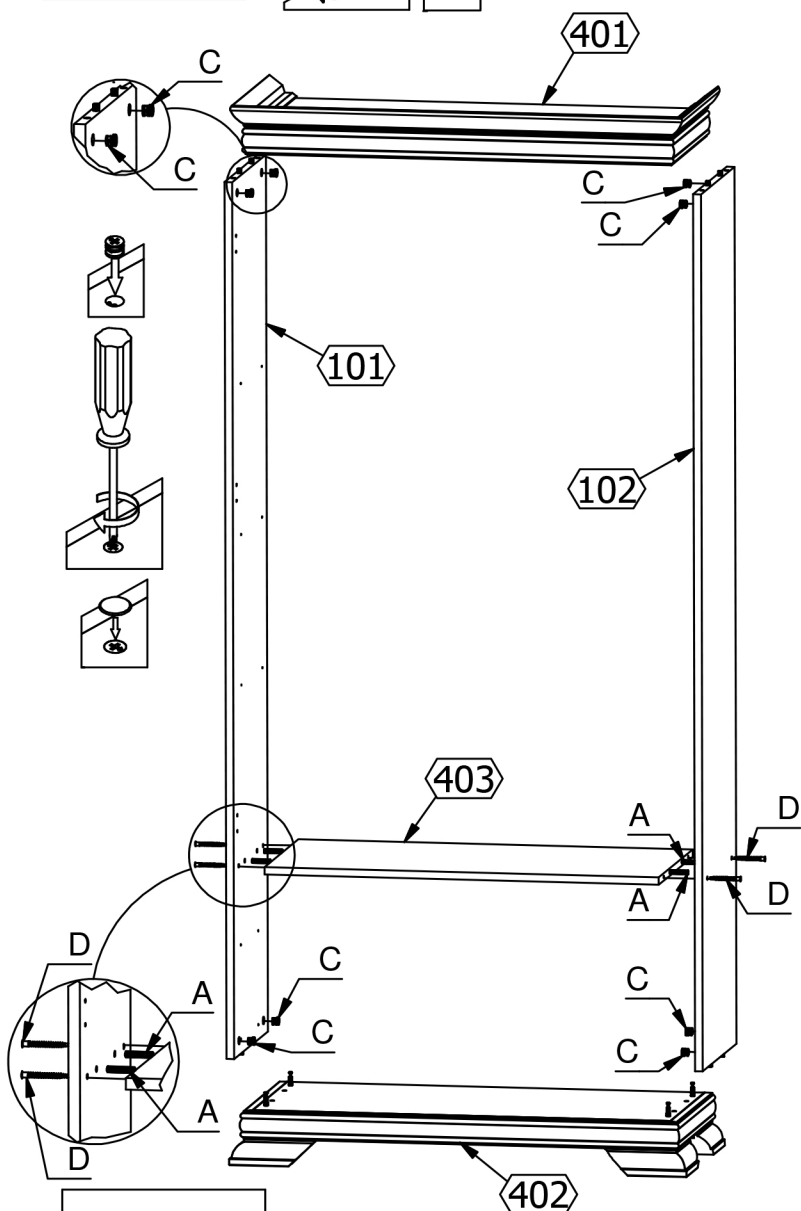
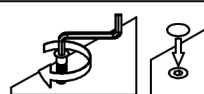
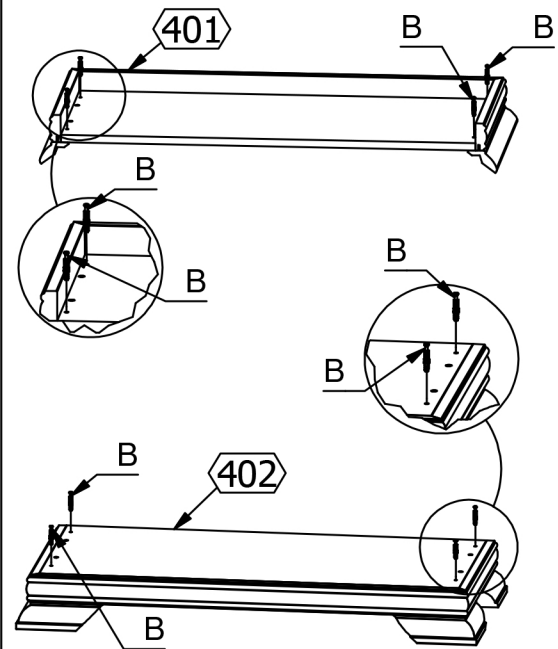
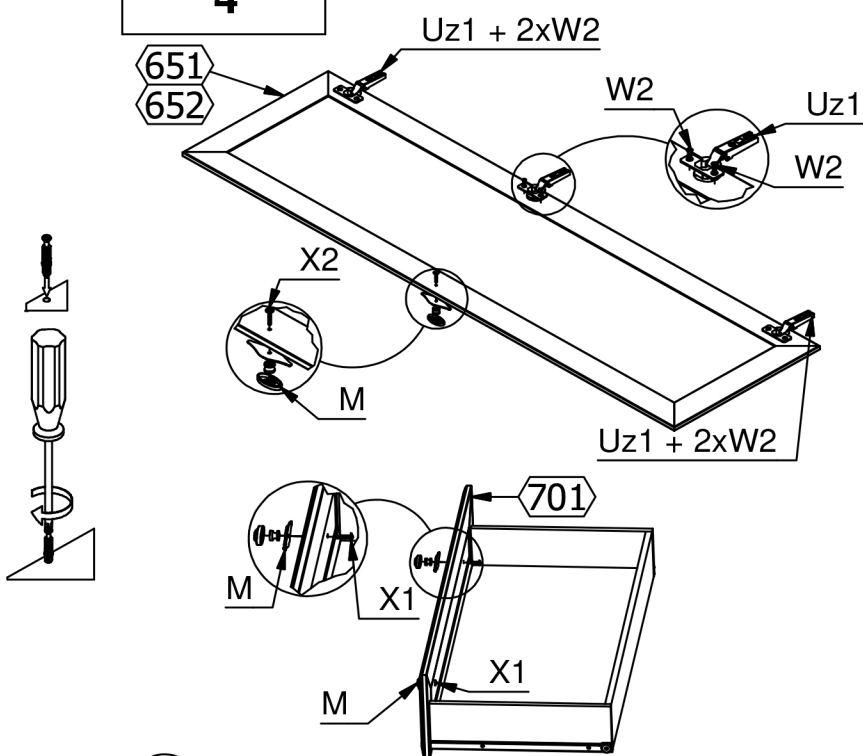


**W3** x8  
(3x25)



**Z** x1

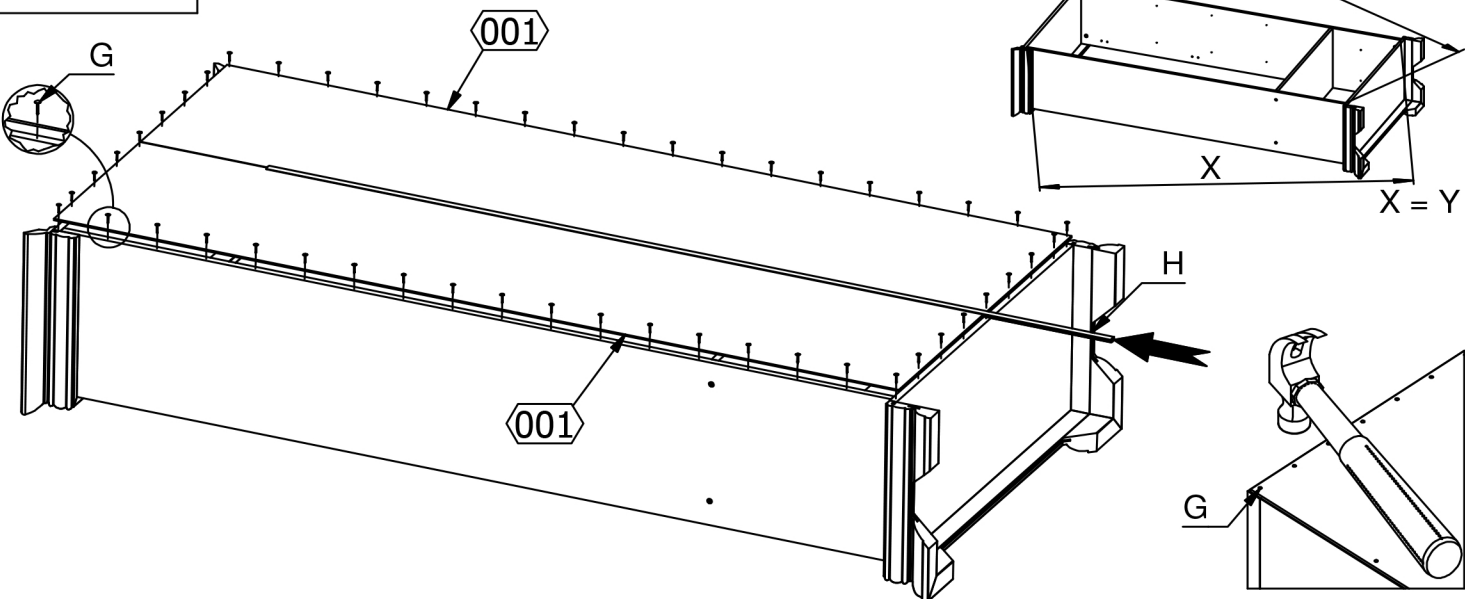


**1****3****2****4**

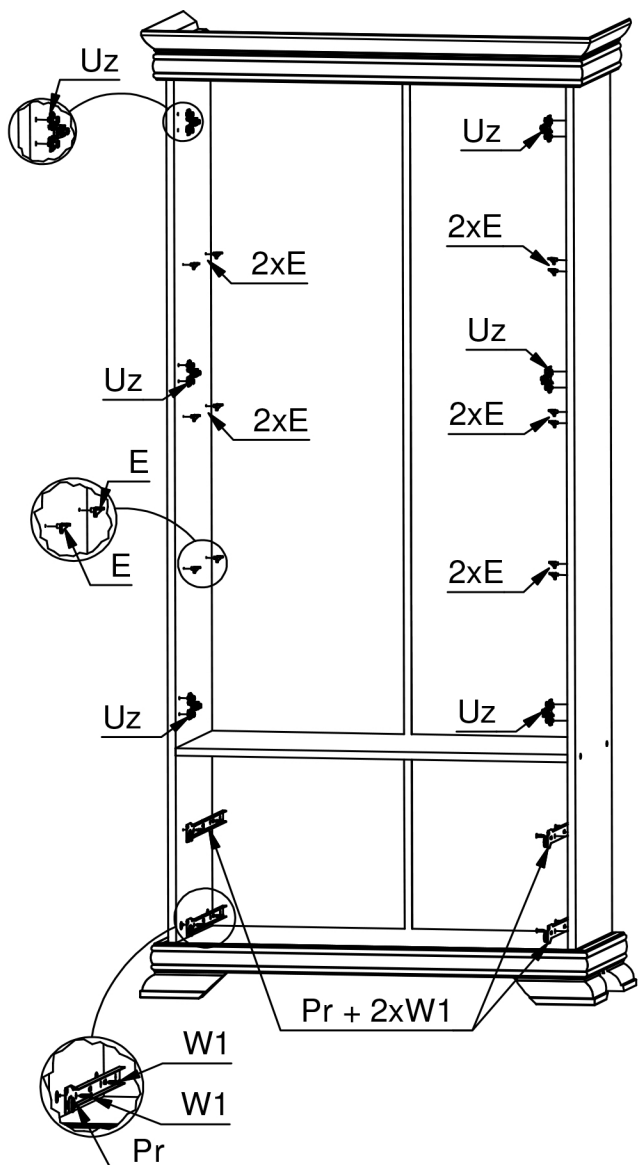
3



5



6



7

